

SUPERIOR PRODUCTS FOR FACIAL CONTOURING

*Aesthetic & Accurate Solutions
for Today's Surgeons*



Implantech[®]
Superior Patient Aesthetics

CIMEOSIL[®] | ALLIED BIOMEDICAL[®] | GELZONE[®]

March 2013

WELCOME

Implantech is the recognized leader in manufacturing innovative facial implants for the aesthetic and reconstructive surgical marketplace. We have a complete line of sterile solid silicone and ePTFE-coated facial implants that have been designed by respected leaders of aesthetic plastic surgery.

We offer over 150 sizes and shapes of silicone and Composite™ (silicone coated with ePTFE) facial implants, in stock and ready to ship. In addition to our current products, we can develop custom products to suit all your facial and soft-tissue contouring needs. We also offer 3-D Accuscan®, a unique process using the patient's CT scan to develop custom, perfect implants that correct bony defects – with no guesswork.

Implantech is proud to maintain FDA, ISO-13485 and CE certifications. Compliance with these U.S. and international regulations is your assurance that every one of our implants is manufactured to the highest quality standards.

Our ongoing goal at Implantech is to continue to provide the high-quality products and service you've come to expect. We sincerely appreciate your continued support and trust.

There's no reason to operate with anyone else.

TABLE OF CONTENTS

Silicone Implants

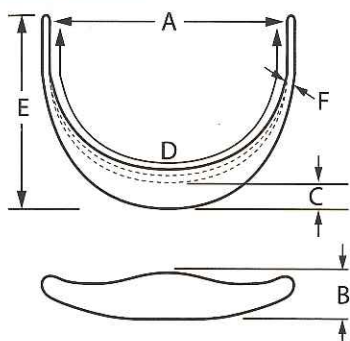
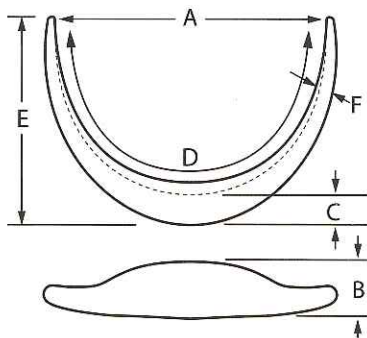
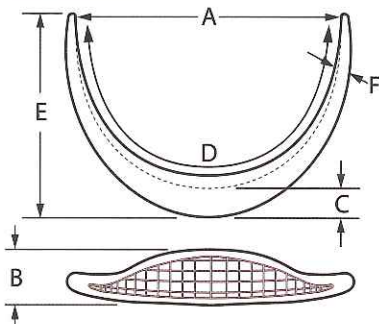
Chin and Mandibular Implants	3
Malar, Submalar® & Midfacial Implants	8
Nasal Implants	11

ePTFE Implants

Composite™ Midfacial Implants.	13
Composite™ Chin & Nasal Implants. .	14
ePTFE Sheeting	15

Specialty Products & Services

Temporal Shell Implant	15
Silicone Blocks	15
Periosteal Elevators	16
Smoke Aspiration Tip	16
Custom Implants and Moulage Kits . .	17
3-D Accuscan®	17
3-D Accuscan® Digital Interactive . . .	17
Additional Products Available.	18



Conform™ Extended Anatomical Chin

Evolution of all of the technology and design of our previous chin implants. Incorporates the patented Conform™ grid pattern to allow for easier implant insertion and to closely conform to underlying bony structure.

Cat. No.	Size	A	B	C	D	E	F
CEAC-S	Small	5.0	1.0	0.43	8.0	3.5	0.2
CEAC-M	Medium	5.6	1.2	0.50	10.0	4.2	0.2
CEAC-L	Large	6.2	1.4	0.60	10.0	4.5	0.3
CEAC-XL	X-Large	6.8	1.5	0.75	11.0	5.0	0.3
CEAC-SIZ	Sizers	Complete Set					

Dimensions in centimeters

Extended Anatomical Chin

Full lateral arms blend into mandible. Can be used with Glasgold Wafer™ for additional anterior augmentation.

Cat. No.	Size	A	B	C	D	E	F
EAC-S	Small	5.5	1.0	0.45	9.0	3.7	0.2
EAC-M	Medium	5.6	1.2	0.50	9.5	4.2	0.4
EAC-L	Large	6.8	1.4	0.60	11.0	4.8	0.4
EAC-XL	X-Large	6.0	1.4	0.75	11.0	5.1	0.5
EAC-SIZ	Sizers	Complete Set					

Dimensions in centimeters

Terino Extended Anatomical™ Chin

Lateral arms are thinner and broader than Extended Anatomical Chin for less palpable edges. Profile is slightly squarer for a stronger jawline.

Cat. No.	Size	A	B	C	D	E	F
TEAC-S	Small	5.7	1.0	0.38	11.0	4.8	0.3
TEAC-M	Medium	5.7	1.2	0.46	11.3	5.0	0.3
TEAC-L	Large	5.7	1.3	0.58	11.5	5.2	0.3
TEAC-XL	X-Large	5.7	1.4	0.64	11.5	5.2	0.4
TEAC-SIZ	Sizers	Complete Set					

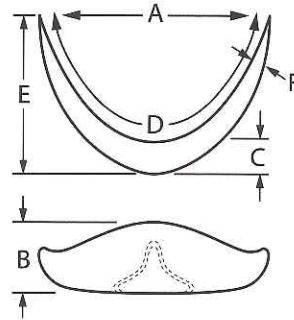
Dimensions in centimeters

Flowers Mandibular Glove®

Posterior implant surface matches the anatomical variations of the anterior surface of the mandible. Provides anterior chin augmentation while slightly tilting the chin mound vertically upward. Blends in laterally, with no appreciable lateral augmentation.

Cat. No.	Size	A	B	C	D	E	F
FMG-VXS	X-Small	6.0	1.65	0.50	9.0	3.7	0.2
FMG-VS	Small	6.0	1.65	0.60	9.0	3.8	0.3
FMG-VM	Medium	6.0	1.75	0.80	10.0	4.4	0.3
FMG-VL	Large	6.1	1.75	1.00	10.0	4.6	0.4
FMG-VXL	X-Large	6.3	1.75	1.20	10.8	5.4	0.5
FMG-VSIZ	Sizers	Complete Set					

Dimensions in centimeters

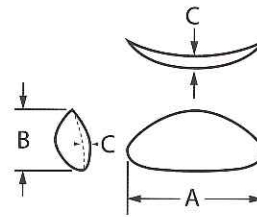


Glasgold Wafer™ for the Extended Anatomical Chin

Provides 2mm additional anterior projection for Extended Anatomical Chin and Terino Extended Anatomical™ Chin Implants.

Cat. No.	Size	A	B	C
GLE-2	2mm	3.6	1.1	0.2

Dimensions in centimeters

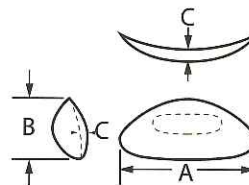


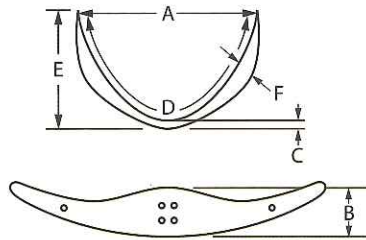
Glasgold Wafer™ for the Pre Jowl-Chin™

Provides 2mm additional anterior projection for Mittelman Pre Jowl-Chin™.

Cat. No.	Size	A	B	C
GLM-2	2mm	3.6	1.1	0.2

Dimensions in centimeters



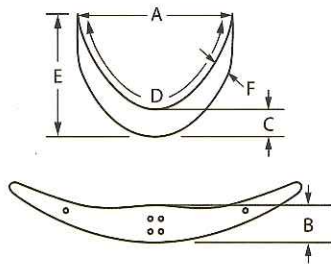


Mittelman Pre Jowl®

Provides augmentation in pre-jowl sulcus with no additional anterior chin augmentation.

Cat. No.	Size	A	B	C	D	E	F
MPJ-S	Small	6.0	1.0	0.10	10.5	4.2	0.3
MPJ-M	Medium	6.0	1.0	0.10	11.0	4.3	0.4
MPJ-L	Large	6.0	1.0	0.10	11.0	4.3	0.5
MPJ-XL	X-Large	6.0	1.0	0.10	12.0	4.6	0.6
MPJ-SIZ	Sizers	Complete Set					

Dimensions in centimeters

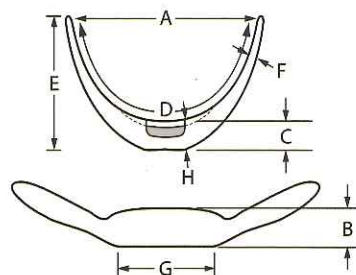


Mittelman Pre Jowl Chin™

Provides anterior chin augmentation with a subtle increase in lateral fullness precisely positioned to augment the pre-jowl sulcus. Posterior implant surface allows for a pronounced symphyseal ridge.

Cat. No.	Size	A	B	C	D	E	F
MPJC-S	Small	6.0	1.5	0.65	10.0	4.0	0.33
MPJC-M	Medium	6.0	1.5	0.80	10.4	4.3	0.40
MPJC-L	Large	6.0	1.5	0.95	10.5	4.8	0.50
MPJC-XL	X-Large	6.0	1.5	1.10	11.0	5.0	0.56
MPJC-SIZ	Sizers	Complete Set					

Dimensions in centimeters



Terino Square Chin - Style I

Provides anterior chin augmentation with a square profile.

Cat. No.	Size	A	B	C	D	E	F	G	H
TSCI-S	Small	6.6	1.3	0.60	9.8	4.1	0.4	4.0	0.70
TSCI-M	Medium	6.5	1.4	0.70	10.9	4.8	0.3	4.2	0.80
TSCI-L	Large	6.6	1.6	0.80	12.0	5.4	0.3	4.6	0.93
TSCI-XL	X-Large	6.9	1.6	1.10	12.8	5.8	0.4	4.2	1.20
TSCI-SIZ	Sizers	Complete Set							

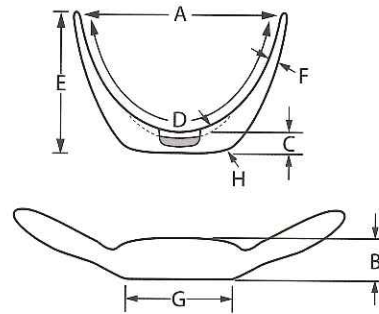
Dimensions in centimeters

Terino Square Chin - Style II

A more strongly defined square profile than Style I.

Cat. No.	Size	A	B	C	D	E	F	G	H
TSCII-S	Small	7.8	1.5	0.47	11.5	4.3	0.4	4.0	0.74
TSCII-M	Medium	8.0	1.5	0.50	12.8	5.0	0.4	5.4	0.80
TSCII-L	Large	9.4	1.5	0.55	13.3	4.9	0.4	5.1	0.91
TSCII-XL	X-Large	9.0	1.5	0.65	15.0	6.2	0.4	5.3	1.00
TSCII-SIZ	Sizers	Complete Set							

Dimensions in centimeters

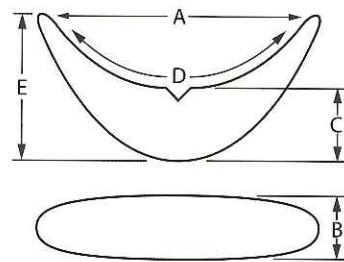


Anatomical Chin

Central chin augmentation. Short lateral extensions blend into mandible.

Cat. No.	Size	A	B	C	D	E
AC-S	Small	4.7	1.2	0.60	6.0	2.1
AC-M	Medium	5.3	1.2	0.90	6.6	2.5
AC-L	Large	5.1	1.2	1.00	6.2	2.5
AC-XL	X-Large	5.3	1.2	1.20	6.6	2.8
AC-SIZ	Sizers	Complete Set				

Dimensions in centimeters

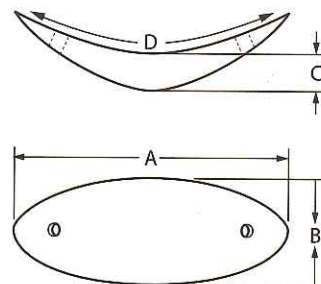


Curvilinear Silicone Chin

Central chin augmentation with no lateral component.

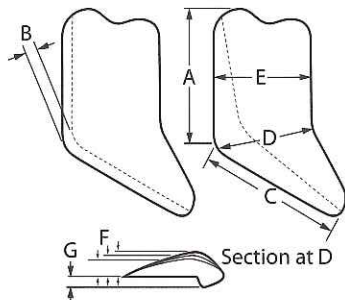
Cat. No.	Size	A	B	C	D
CSC-XS	X-Small	3.1	1.1	0.45	3.0
CSC-S	Small	3.2	1.4	0.65	3.3
CSC-M	Medium	3.6	1.4	0.65	4.0
CSC-L	Large	4.4	1.4	0.65	4.8
CSC-XL	X-Large	4.0	1.5	0.70	4.5
CSC-SIZ	Sizers	Complete Set			

Dimensions in centimeters



Lateral Mandibular Angle™

Lateral augmentation of mandibular angle (dimension F). Specify Catalog No. for "Left (L)" or "Right (R)." Lateral Mandibular Implants are single-packed (not in pairs). Save by purchasing a pair.



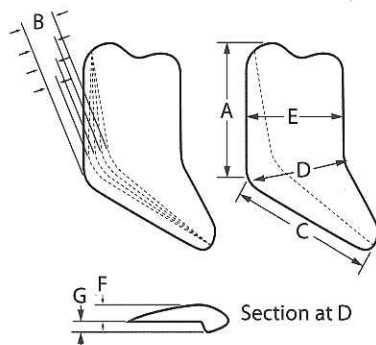
Cat. No.	A	B	C	D	E	F	G
TMA-4L/8	4.5	0.4	4.5	3.5	3.0	0.8	0.4
TMA-4R/8	4.5	0.4	4.5	3.5	3.0	0.8	0.4
TMA-4L/10	4.5	0.4	4.5	3.5	3.0	1.0	0.4
TMA-4R/10	4.5	0.4	4.5	3.5	3.0	1.0	0.4
TMA-4L/12	4.5	0.4	4.5	3.5	3.0	1.2	0.4
TMA-4R/12	4.5	0.4	4.5	3.5	3.0	1.2	0.4
TMAL-SIZ	Sizers	Complete Set					

Dimensions in centimeters



Posterior Mandibular Angle™

Augments posterior mandibular angle (dimension B) with minor lateral augmentation (dimension F). Specify Catalog No. for "Left (L)" or "Right (R)." Posterior Mandibular Implants are single-packed (not in pairs). Save by purchasing a pair.



Cat. No.	A	B	C	D	E	F	G
TMA-4L	4.5	0.4	4.5	3.5	3.0	0.36	0.4
TMA-4R	4.5	0.4	4.5	3.5	3.0	0.36	0.4
TMA-6L	4.5	0.6	4.5	3.5	3.0	0.36	0.4
TMA-6R	4.5	0.6	4.5	3.5	3.0	0.36	0.4
TMA-8L	4.5	0.8	4.5	3.5	3.0	0.36	0.4
TMA-8R	4.5	0.8	4.5	3.5	3.0	0.36	0.4
TMA-10L	4.5	1.0	4.5	3.5	3.0	0.36	0.4
TMA-10R	4.5	1.0	4.5	3.5	3.0	0.36	0.4

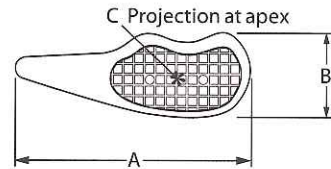
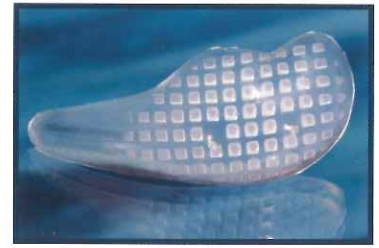
Dimensions in centimeters

Conform Binder Submalar®

Softer and more flexible than the standard silicone implant, the patented Conform™ grid pattern readily adapts to the underlying facial structure. Augments the submalar region for a more youthful appearance. Sold in pairs.

Cat. No.	Size	A	B	C
CBSM-S	Small	4.4	1.5	0.4
CBSM-M	Medium	4.9	1.8	0.5
CBSM-L	Large	5.4	1.9	0.6
CBSM-XL	X-Large	5.9	2.1	0.7
CBSM-SIZ	Sizes	Complete Set		

Dimensions in centimeters

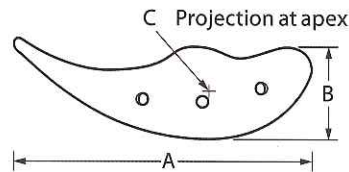


Binder Submalar®

Elevates and repositions the overlying midfacial soft tissue in an anterior and superior position for a more youthful appearance. Adds lower midfacial fullness while softening the nasalabial fold. Sold in pairs.

Cat. No.	Size	A	B	C
BSM-S	Small	4.0	1.6	0.45
BSM-M	Medium	4.4	1.8	0.50
BSM-L	Large	4.9	2.0	0.57
BSM-XL	X-Large	5.3	2.2	0.61
BSM-SIZ	Sizes	Complete Set		

Dimensions in centimeters

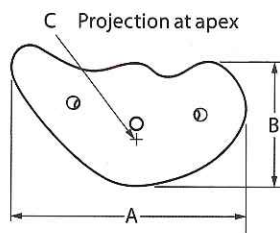


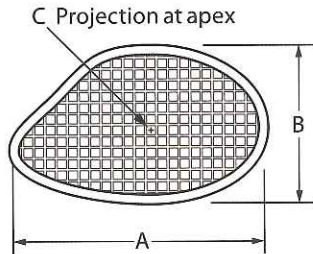
Binder Submalar® II

Same aesthetic benefit as Binder Submalar®, but designed to fit more inferiorly into the submalar space to provide natural augmentation in patients with high cheekbones and sunken cheeks. Sold in pairs.

Cat. No.	Size	A	B	C
BSMII-S	Small	4.1	2.1	0.40
BSMII-M	Medium	4.4	2.3	0.45
BSMII-L	Large	4.8	2.4	0.46
BSMII-XL	X-Large	5.2	2.7	0.54
BSMII-SIZ	Sizes	Complete Set		

Dimensions in centimeters



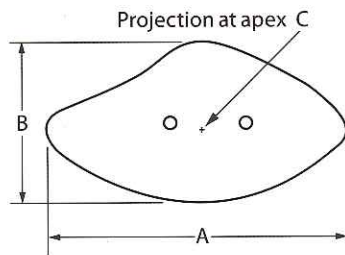


Conform Terino Malar Shell®

Augments the volume deficient midface for a more aesthetic, youthful and balanced look. Soft and flexible, the patented Conform™ design enables the implant to adapt to the underlying midfacial structure. Sold in pairs.

Cat. No.	Size	A	B	C
CTMS-S4	Small	4.8	2.3	0.4
CTMS-M4	Medium	5.1	2.8	0.4
CTMS-L4	Large	5.2	3.3	0.4
CTMS-XL4	X-Large	5.7	3.4	0.4
CTMS-SIZ	Sizers	Complete Set		

Dimensions in centimeters



Terino Malar Shell®

Broad surface area with fine, non-palpable edges for a smooth transition between the implant and underlying bone. Ideal for augmenting patients with malar hypoplasia. Sold in pairs.

Cat. No.	Size	A	B	C
TMS-S3	Small	4.8	2.3	0.3
TMS-S4	Small	4.8	2.3	0.4
TMS-M3	Medium	5.1	2.8	0.3
TMS-M4	Medium	5.1	2.8	0.4
TMS-M5	Medium	5.1	2.8	0.5
TMS-L3	Large	5.2	3.3	0.3
TMS-L4	Large	5.2	3.3	0.4
TMS-L5	Large	5.2	3.3	0.5
TMS-L6	Large	5.2	3.3	0.6
TMS-XL4	X-Large	5.7	3.6	0.4
TMS-XL5	X-Large	5.7	3.6	0.5
TMS-XL6	X-Large	5.7	3.6	0.6
TMS-XL7	X-Large	5.7	3.6	0.7
TMS-SIZ	Sizers	Set of 0.4cm Projection Sizers		

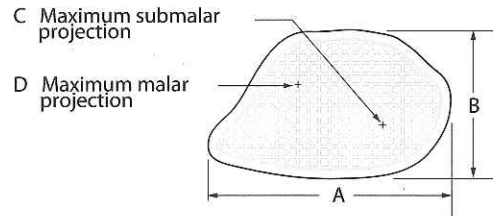
Dimensions in centimeters

Conform™ Midfacial

With the added benefit of the soft and flexible patented Conform™ grid pattern, this Midfacial Implant augments both the malar and submalar region for a fuller, younger looking face. Sold in pairs.

Cat. No.	Size	A	B	C	D
CCSM-XS	X-Small	3.4	2.0	0.39	0.20
CCSM-S	Small	4.1	2.5	0.47	0.27
CCSM-M	Medium	4.7	2.7	0.53	0.30
CCSM-L	Large	5.1	3.0	0.56	0.32
CCSM-XL	X-Large	5.5	3.2	0.60	0.40
CCSM-SIZ	Sizers	Complete Set			

Dimensions in centimeters

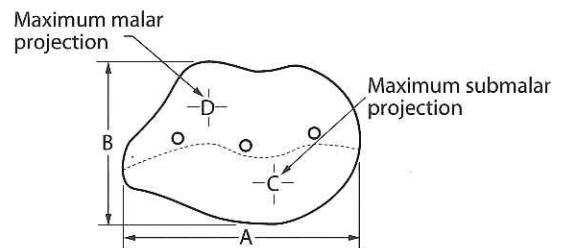


Combined Submalar Shell™

Augments entire midfacial area by incorporating the features of the Terino Malar Shell® and the Binder Submalar®. Ideal for patients with both malar hypoplasia and midfacial soft-tissue deficiencies. Sold in pairs.

Cat. No.	Size	A	B	C	D
CSM-S	Small	4.4	3.0	0.40	0.35
CSM-M	Medium	4.9	3.3	0.47	0.40
CSM-L	Large	5.4	3.7	0.52	0.45
CSM-XL	X-Large	5.8	4.2	0.58	0.50
CSM-SIZ	Sizers	Complete Set			

Dimensions in centimeters

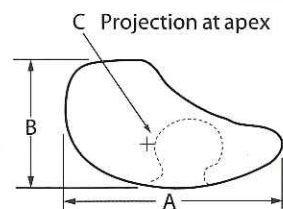


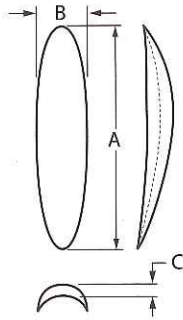
Flowers Tear Trough®

Augments the prominent suborbital groove caused by bony hypoplasia and depressions. Sold in pairs.

Cat. No.	Size	A	B	C
FTT-S	Small	4.3	2.3	0.3
FTT-M	Medium	4.3	2.3	0.4
FTT-L	Large	4.8	2.5	0.5
FTT-SIZ	Sizers	Complete Set		

Dimensions in centimeters



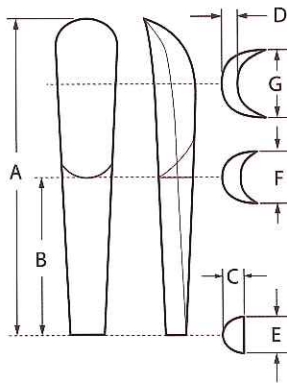


Flowers Dorsal Nasal

Provides mid-dorsal augmentation for central nasal depressions.

Cat. No.	Size	A	B	C
FDI-1.5	Small	4.3	1.00	0.15
FDI-2.5	Sm-Med	4.4	1.05	0.25
FDI-3.5	Medium	4.4	1.10	0.35
FDI-4.5	Large	4.4	1.10	0.45
FDI-SIZ	Sizers	Complete Set		

Dimensions in centimeters

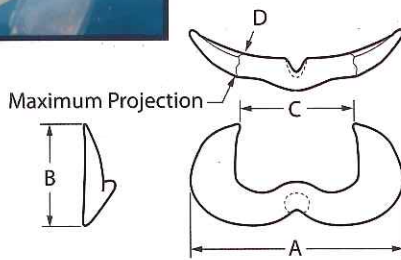


Rizzo Dorsal Nasal

Provides full dorsal augmentation.

Cat. No.	Size	A	B	C	D	E	F	G
RDI-XS	X-Small	4.5	2.25	0.20	0.15	0.5	0.7	0.9
RDI-S	Small	4.5	2.25	0.30	0.25	0.5	0.7	0.9
RDI-M	Medium	4.5	2.25	0.45	0.35	0.5	0.7	0.9
RDI-L	Large	4.5	2.25	0.47	0.45	0.5	0.7	1.0
RDI-XL	X-Large	4.5	2.25	0.50	0.52	0.5	0.7	1.0
RDI-SIZ	Sizers	Complete Set						

Dimensions in centimeters



Peri-Pyriform™

A premaxillary implant designed to augment the perialar area around the pyriform aperture. Adds anterior projection to the premaxilla, and provides a platform for the nasal base.

Cat. No.	Size	A	B	C	D
BPI-S	Small	3.8	1.5	2.8	0.53
BPI-M	Medium	3.6	1.8	2.4	0.57
BPI-L	Large	3.9	2.1	2.8	0.65

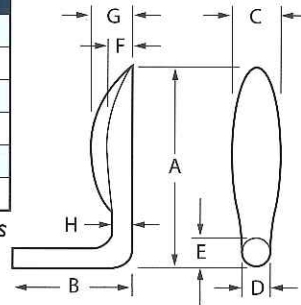
Dimensions in centimeters

Voloshin Dorsal Columella

Augments and reconstructs the nasal dorsum and the nasal tip. Fabricated in a soft and pliable opaque silicone elastomer.

Cat. No.	A	B	C	D	E	F	G	H
VSDC-001	5.0	3.0	1.1	0.7	0.4	0.22	0.40	0.4
VSDC-002	5.4	3.1	1.0	0.7	0.4	0.20	0.40	0.4
VSDC-003	4.9	3.2	1.0	0.7	0.4	0.43	0.70	0.6
VSDC-004	5.2	3.2	1.2	0.7	0.4	0.50	0.75	0.6
VSDC-010	5.2	3.3	1.0	0.7	0.4	0.35	0.55	0.6
VSDC-SIZ	Sizers	Complete Set						

Dimensions in centimeters

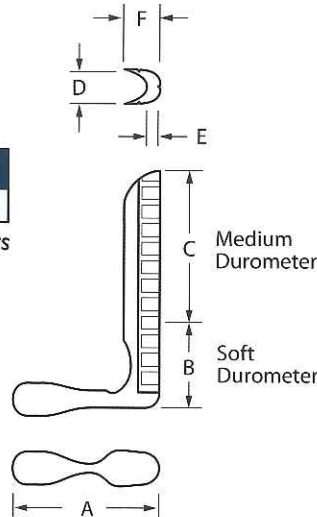


Shirakabe Nasal

Grid design allows for symmetrical trimming for each patient. Dual durometer: soft tip and medium dorsum. Augments full dorsum and fills out soft tissue at base of nasal spine.

Cat. No.	Size	A	B	C	D	E	F
SNI-LI	Large	3.5	2.0	4.0	1.1	0.3	0.9

Dimensions in centimeters

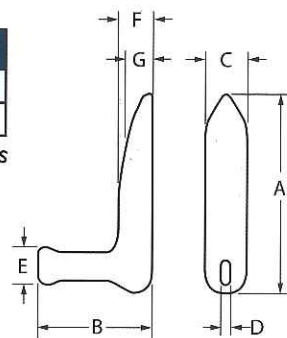


Dorsal Columella

Carvable to fit each patient. Available in firm (F) and soft (S) durometers.

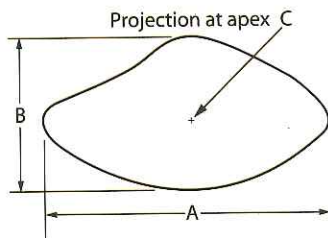
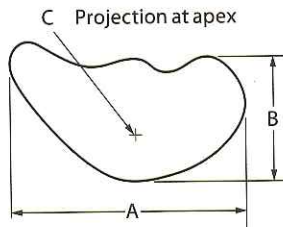
Cat. No.	Type	A	B	C	D	E	F	G
DCI-03F	Firm	5.8	3.0	1.1	0.3	0.9	0.8	0.6
DCI-03S	Soft	5.8	3.0	1.1	0.3	0.9	0.8	0.6

Dimensions in centimeters



Composite™ Facial Implants

Consisting of flexible silicone fully encased in a .3mm layer expanded polytetrafluoroethylene (ePTFE), our Composite Facial Implants readily adapt to underlying bone and tissue. ePTFE has been shown to allow tissue attachment and provide further implant stabilization.



ePTFE-Coated Binder Submalar® II

Elevates and repositions the overlying midfacial soft tissue in an anterior and superior position for a more youthful appearance. Adds lower midfacial fullness while softening the nasalabial fold. It is designed to fit more inferiorly into the submalar space to provide natural augmentation in patients with high cheekbones and sunken cheeks. Sold in pairs.

Cat. No.	Size	A	B	C
ePTFE-BSMII-S	Small	4.1	2.1	0.40
ePTFE-BSMII-M	Medium	4.4	2.3	0.45
ePTFE-BSMII-L	Large	4.8	2.4	0.46
ePTFE-BSMII-XL	X-Large	5.2	2.7	0.54
BSMII-SIZ	Sizers	Complete Set (silicone)		

Dimensions in centimeters

ePTFE-Coated Terino Malar Shell®

Broad surface area with fine, non-palpable edges for a smooth transition between the implant and underlying bone. Ideal for augmenting patients with malar hypoplasia. Sold in pairs.

Cat. No.	Size	A	B	C
ePTFE-TMS-S	Small	4.8	2.3	0.4
ePTFE-TMS-M	Medium	5.1	2.8	0.4
ePTFE-TMS-L	Large	5.2	3.3	0.4
ePTFE-TMS-XL	X-Large	5.7	3.6	0.4
TMS-SIZ	Sizers	Complete Set (silicone)		

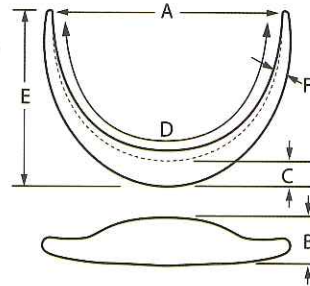
Dimensions in centimeters

ePTFE-Coated Extended Anatomical Chin

Full lateral arms blend into mandible.

Cat. No.	Size	A	B	C	D	E	F
ePTFE-EAC-S	Small	5.5	1.0	0.45	9.0	3.7	0.2
ePTFE-EAC-M	Medium	5.6	1.2	0.50	9.5	4.2	0.4
ePTFE-EAC-L	Large	6.8	1.4	0.60	11.0	4.8	0.4
ePTFE-EAC-XL	X-Large	6.0	1.4	0.75	11.0	5.1	0.5
EAC-SIZ	Sizers	Complete Set (silicone)					

Dimensions in centimeters

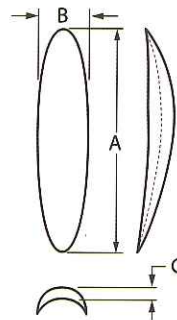


ePTFE-Coated Flowers Dorsal Nasal

Provides mid-dorsal augmentation for central nasal depressions.

Cat. No.	Size	A	B	C
ePTFE-FDI-1.5	Small	4.3	1.00	0.15
ePTFE-FDI-2.5	Sm-Med	4.4	1.05	0.25
ePTFE-FDI-3.5	Medium	4.4	1.10	0.35
ePTFE-FDI-4.5	Large	4.4	1.10	0.45
FDI-SIZ	Sizers	Complete Set (silicone)		

Dimensions in centimeters

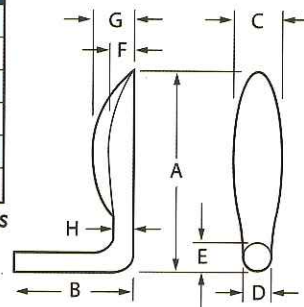


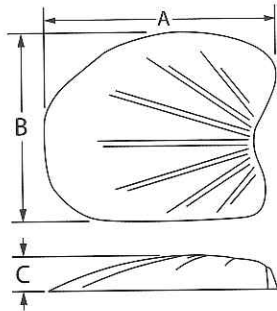
ePTFE-Coated Voloshin Dorsal Columella

Augments and reconstructs the nasal dorsum and the nasal tip.

Cat. No.	A	B	C	D	E	F	G	H
ePTFE-VSDC-001	5.0	3.0	1.1	0.7	0.4	0.22	0.40	0.4
ePTFE-VSDC-002	5.4	3.0	1.0	0.7	0.4	0.20	0.40	0.4
ePTFE-VSDC-003	4.9	3.2	1.0	0.7	0.4	0.43	0.70	0.6
ePTFE-VSDC-004	5.2	3.2	1.2	0.7	0.4	0.50	0.75	0.6
ePTFE-VSDC-010	5.2	3.3	1.0	0.7	0.4	0.35	0.55	0.6
VSDC-SIZ	Sizers	Complete Set (silicone)						

Dimensions in centimeters





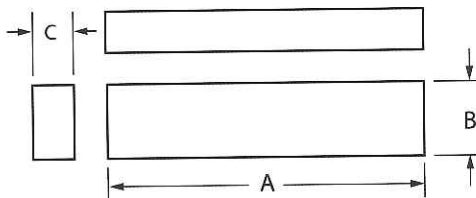
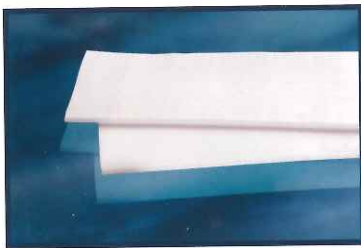
Temporal Shell Implant

Designed by Barry L Eppley, MD, DMD

An ideal, permanent solution for temporal hollowing due to genetics or trauma. Soft and flexible, the silicone Temporal Shell provides soft-tissue volume (muscle enhancement) for an aesthetically pleasing appearance. Easily customized with surgical scissors. Temporal Shell implants are single-packed (not in pairs). Save by purchasing a pair.

Cat. No.	A	B	C
TS-07L	4.7	3.9	0.7
TS-07R	4.7	3.9	0.7
TS-09L	5.5	4.5	0.9
TS-09R	5.5	4.5	0.9

Dimensions in centimeters

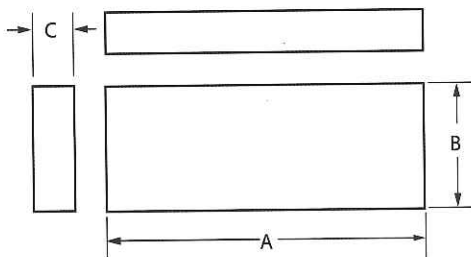


ePTFE Sheeting (Sterile)

Available in various sizes, our ePTFE sheeting is packaged sterile for your surgical needs.

Cat. No.	A	B	C
ePTFE-SHEET-010	8	5	0.1
ePTFE-SHEET-020	8	3	0.2
ePTFE-SHEET-040	10	3	0.4
ePTFE-SHEET-041	6	1.6	0.4
ePTFE-SHEET-060	10	3	0.6
ePTFE-SHEET-061	6	1.6	0.6

Dimensions in centimeters



Silicone Block - Rectangular (Non-Sterile)

Carvable into individual implant shapes. Available in three hardnesses (or durometers).

Cat. No.		A	B	C
BLK-10	Soft	12.0	7.0	1.5
BLK-20	Medium	12.0	7.0	1.5
BLK-40	Firm	12.0	7.0	1.5

Dimensions in centimeters

Periosteal Elevators

Elevators are handcrafted in Germany from surgical-grade stainless steel, and more easily create an optimal pocket for Implantech facial implants. Save by purchasing all three sizes.

Cat. No.	Width	Length
ELE-04	0.4 cm	7 in.
ELE-06	0.6 cm	7 in.
ELE-10	1.0 cm	7 in.



SE-100 Smoke Aspiration Tip

Simple and effective. Removes smoke, particles and body fluids. Universally adaptable to all electrocautery pencils. Clear for improved visibility. Can be cut to any length. Sterile packaged and disposable.

Cat. No.	Description
SE-100-10	Box of 10
SE-100-25	Box of 25

